



---

# **HY311X ENOB Test User Manual**

## Table of Contents

<b>1. ENOB AND NOISE FREE DESCRIPTION</b>	<b>4</b>
<b>2. HARDWARE/SOFTWARE INSTALLATION</b>	<b>5</b>
2.1 MINIMUM SYSTEM REQUIREMENTS	5
2.2 INSTALLATION AND REMOVAL	5
<b>3. SOFTWARE MENU DESCRIPTION</b>	<b>11</b>
3.1 OPTION	11
3.1.1 Setup	12
3.1.2 RAM Panel	12
3.1.3 REG Panel	13
3.1.4 ADC Panel	14
3.2 USB SCAN	15
3.3 READ RAM	15
<b>4. ENOB TEST</b>	<b>15</b>
<b>5. HARDWARE DESCRIPTION</b>	<b>17</b>
5.1 USB ENOB TEST BOARD DESCRIPTION	17
5.2 HY311X DEMO BOARD DESCRIPTION	18
<b>6. QUESTION OBVIATION</b>	<b>21</b>
<b>7. REVISION HISTORY</b>	<b>22</b>

Notes:

1. Improvements and contents to this user guide necessitated by improvements to equipment may be made by Hycon Technology at any time and without notice. You may download the most up to date version of this user guide at <http://www.hycontek.com>.
2. Under no circumstances will Hycon Technology be liable in any way for third party copyright problems concerning graphs and application circuits contained in this user guide.
3. Hycon Technology guarantees that features, typical applications and functions of this product are compliant with this user guide when being used in stand-alone situation. Hycon Technology does not make the same guarantee when this product is used together with your finished goods or equipment. Hycon Technology advises you to conduct comprehensive evaluations and tests.
4. You, and not Hycon Technology, are responsible for making sure that the internal power consumption of IC is within limits given in this user guide by following the using conditions of input voltage, output voltage, and load current. Under no circumstances will Hycon Technology be liable in any way for damage caused by your using this product, even for a very short period of time, in conditions exceeding limits specified in this user guide.
5. In spite of embedded static protection circuit of this product Hycon Technology advises you do not apply static that is over protection circuit capacity.
6. Hycon Technology advises you not to use this product in mission critical circuits or components of mission critical circuits unless authorized with prior written permission. This may include, but not limited to, health and medical equipment, disaster prevention equipment, vehicles, automotive equipment, aviation equipment, and equipment and devices that may affect human body.
7. Hycon Technology strives to improve quality and reliability of this product. However every semiconductor will fail at certain probability and this may cause personal injury and/or fire. Hycon Technology advises you to pay special attention to redundancy and safety level in designing your end product. This may prevent incidents and accidents from happening.
8. Transfer and reproduction of part or all of the contents in this user guide in any format without the prior permission of Hycon Technology is prohibited.

## 1. ENOB and Noise Free Description

RMS Noise that generated from Sigma Delta ADC is the minimum voltage value of distinguishable sampling signal. Hence, ENOB (Effective Number of Bits) is calculated by the ratio of RMS Noise and Full Scale Range. However, RMS Noise must be calculated by many average times. Insufficient sampling times can only represent RMS Noise for a specific period of time instead of the entire ADC operation. Therefore, RMS Noise operation times cannot be less than 1024 times.

However, Noise Free Bit represents that ADC output value count is not rolling. Noise Free Bits are stable ADC output performance. Bit operation is defined as Peak-to-Peak Noise and Full Scale Range ratio.

RMS Noise Equation:

$$\text{平均Count} \rightarrow \text{Average} = \frac{\sum_{k=1}^n \text{ADC}[k]}{n} \quad (1)$$

$$\text{RMSNoise} = \frac{V_{\text{RFE}} \times \sqrt{\frac{\sum_{k=1}^n (\text{ADC}[k] - \text{Average})^2}{n}}}{2^{\text{Scale}}} \quad (2)$$

In the above equation, n represents total sampling number of ADC and Scale represents ADC total output bits. ENOB and Noise Free Bits can be gained by taking Equation 1 and Equation 2 to the following equation:

$$\text{ENOB} = \log_2 \left( \frac{\text{FSR}}{\text{RMSNoise}} \right) = \frac{\ln \left( \frac{\text{FSR}}{\text{RMSNoise}} \right)}{\ln(2)} \quad (3)$$

$$\text{NoiseFreeBits} = \log_2 \left( \frac{\text{FSR}}{\text{Peak-to-Peak Noise}} \right) = \frac{\ln \left( \frac{\text{FSR}}{\text{Peak-to-Peak Noise}} \right)}{\ln(2)} \quad (4)$$

Equation of Peak-to-Peak Noise:

$$\text{Peak-to-Peak Noise} = \frac{V_{\text{REF}} \times (\text{ADC}_{\text{Max}} - \text{ADC}_{\text{Min}})}{2^{\text{Scale}}} \quad (5)$$

## 2. Hardware/Software Installation

### 2.1 Minimum System Requirements

#### 1. Hardware Requirements:

IBM AT/ATX PC PENTIUM® or any above compatible type

Memory size > 32MB (>256MB is recommended)

Resolution > VGA 1024×768, 256-color display

Hard discs space > 10MB

USB port

#### 2. Operation System

Windows™ 98SE

Windows™ 2000

Windows™ XP

Windows™ Vista

Windows™ 7

Not supportive for 64 bit window, \*nix and OSX operation system. Menu could be unreadable code when operating in non-traditional Chinese operation system.

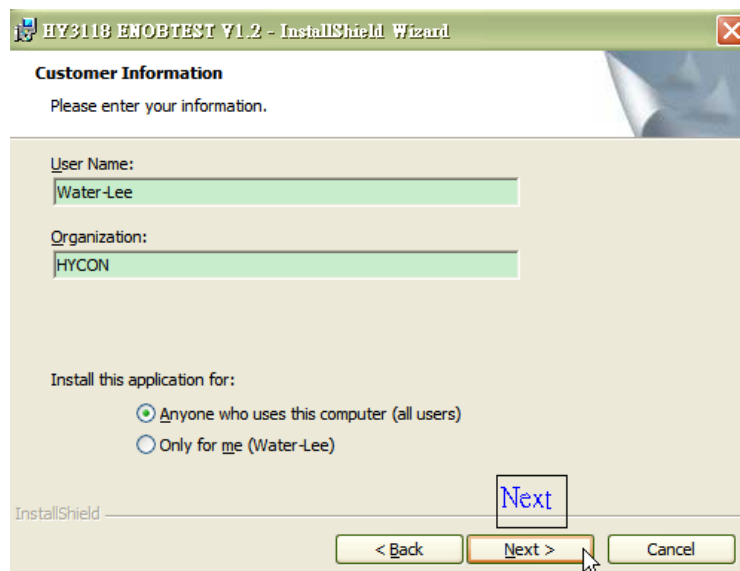
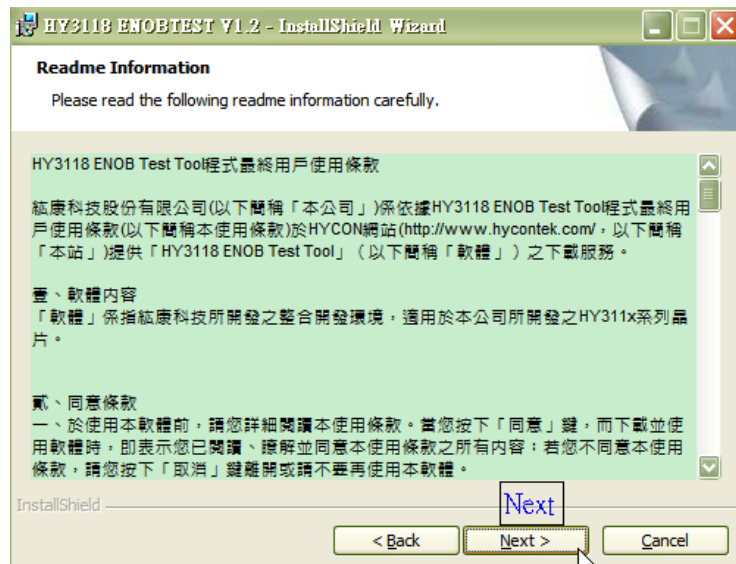
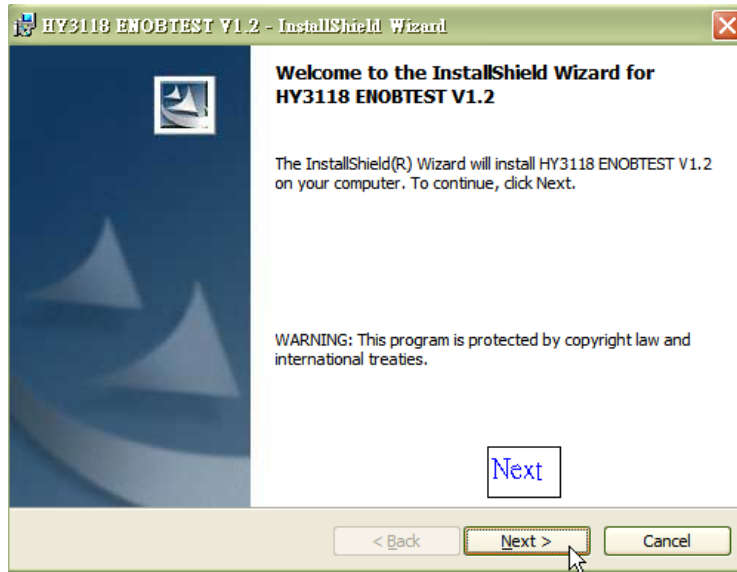
### 2.2 Installation and Removal

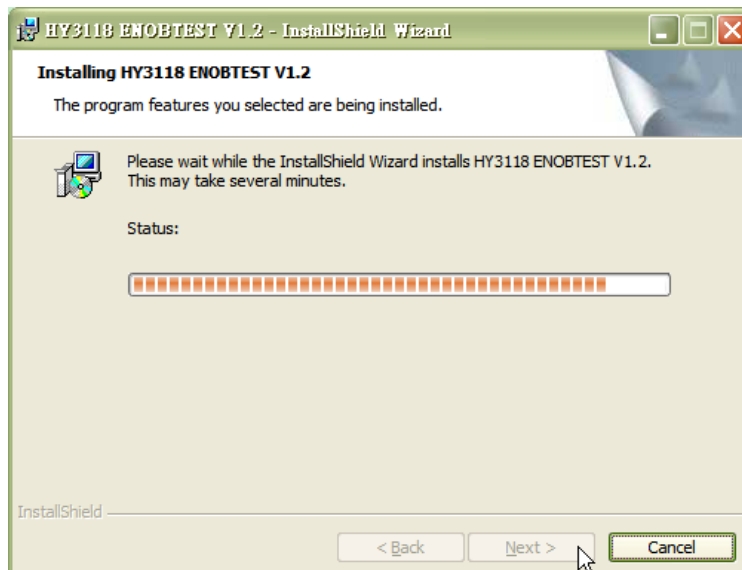
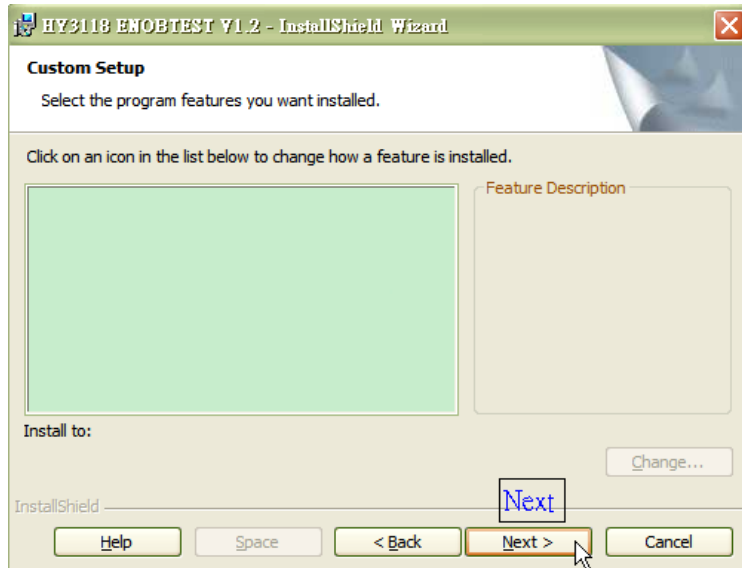
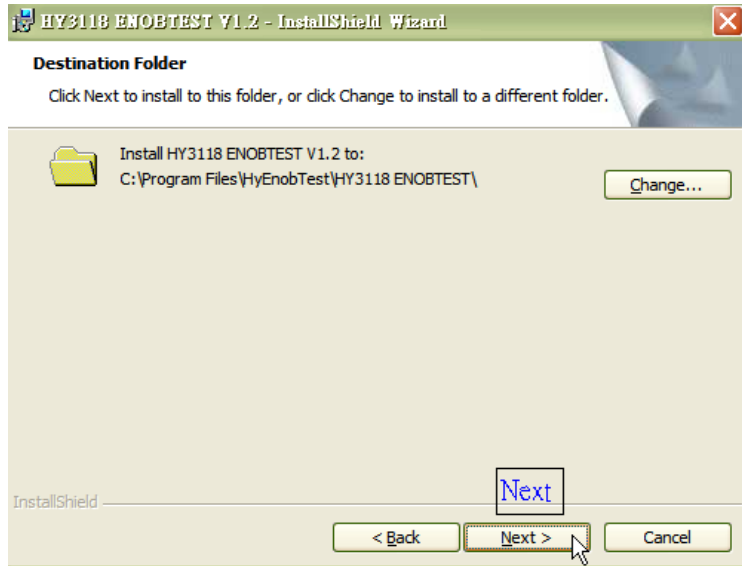
#### 1. Software Installation

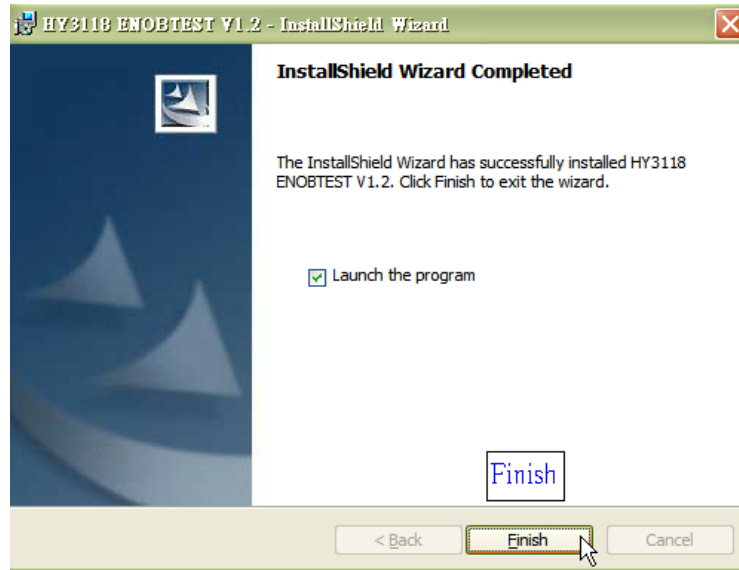
For certain operation system, it requires Administrator identity to install software to the computer.

- Look for Setup.exe and execute it from CD-ROM menu or unzip file. Proceeding the installation procedures as frame indicates. As shown in below dialog window.









## 2. Software Removal

To certain operation systems, it requires Administrator identity to remove software.

- Control panel ( Start → setup → control panel ) , clicking "install/remove program".



- After pressing "Yes", the program will be removed but no relative window will pop up.





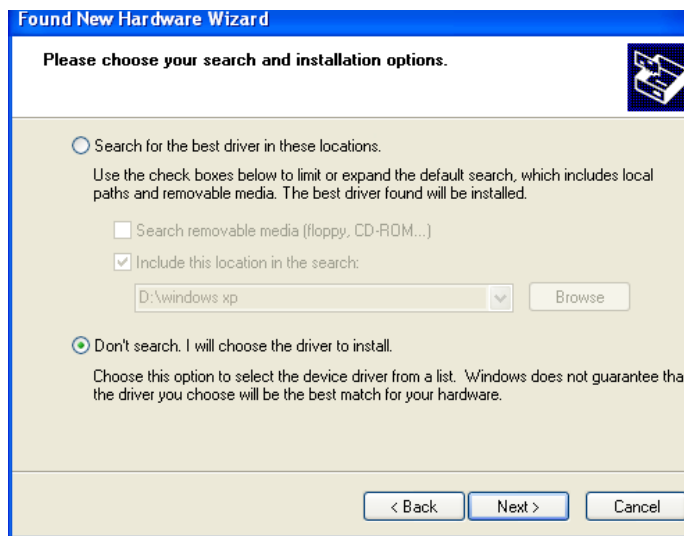
### 3. Hardware Installation

For certain operation systems, it requires Administrator identity to install hardware driving program.

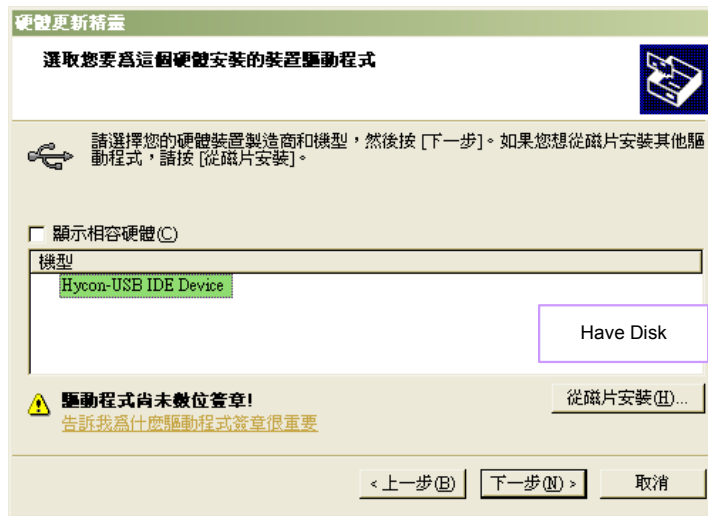
- When connecting PC and USB ENOB Test Board via USB wire, PC will find a new hardware. Please select "Install from a list or specific location (Advance)" and proceeds next step.



- Select "Don't search. I will choose the driver to install" and press next.



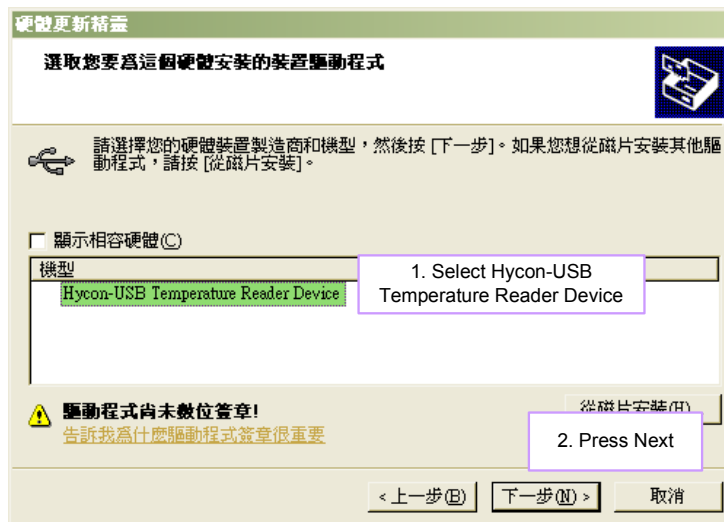
- Click "Have Disk".



- Click browse and assign driving program menu, the default location is "C:\Program Files\HyEnob Test\HY3118 ENOBTEST\Driver" and press yes.



- Select "Hycon-USB Temperature Reader Device" and press next. After compatibility warning shows up, please press "continue installation".



- Install complete



### 3. Software Menu Description

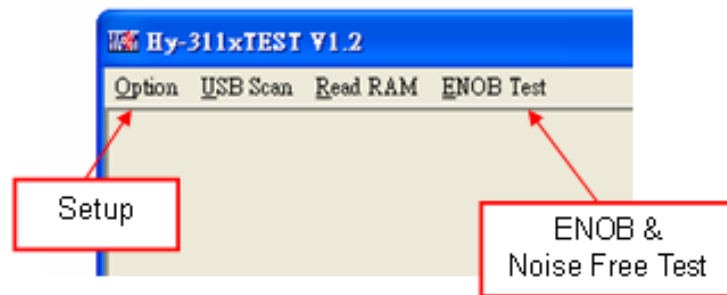


Figure 3-1

#### 3.1 Option

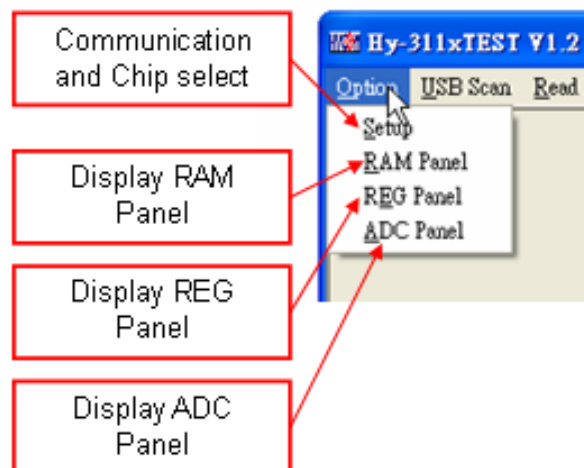


Figure 3-2

## 3.1.1 Setup



Figure 3-3

When test tool and HY311X series are connected, the device number and communication mode is set. User needs not to make other selection

## 3.1.2 RAM Panel



Figure 3-4

- Open RAM window, memory content of the chip will be displayed.
- If the address is inexistent, it will display - .
- If the address underlined number, it means Hint has been configured.
- The data in the address can be directly amended by clicking the left button on the address.
- By double-clicking the left button on the address, the window of amending data will show up.
- For detailed operation description, please refer to Chapter 3.2 of HY-IDE software user manual.

## 3.1.3 REG Panel

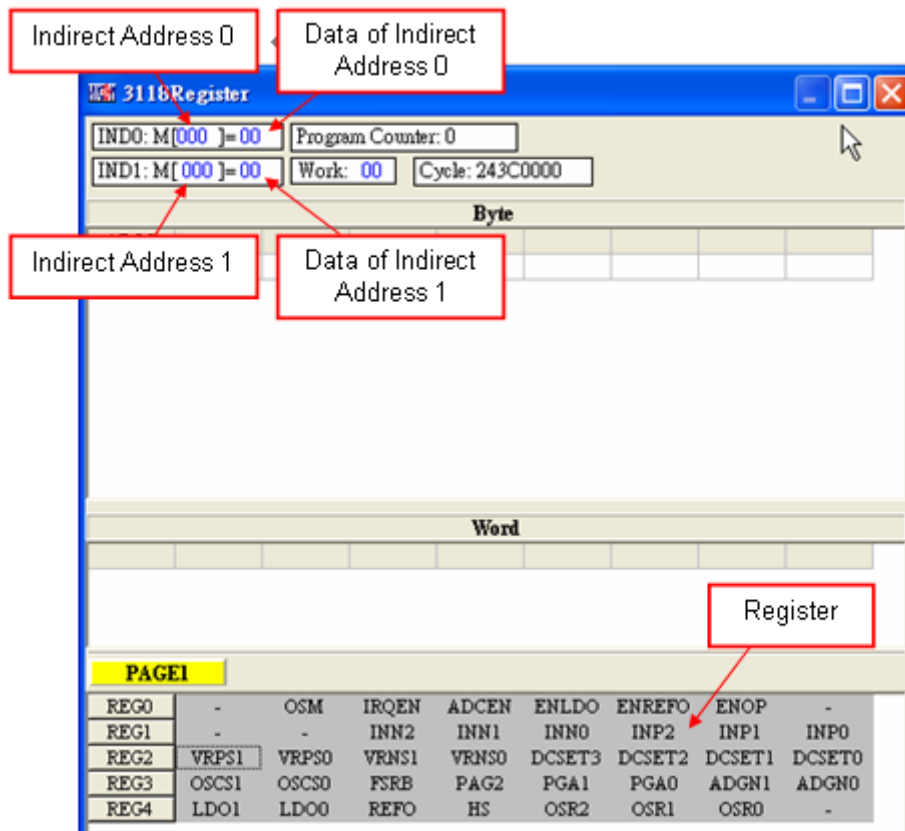


Figure 3-5

Please refer to Chapter 3.3 Register window operation of HY-IDE software user manual.

## 3.1.4 ADC Panel

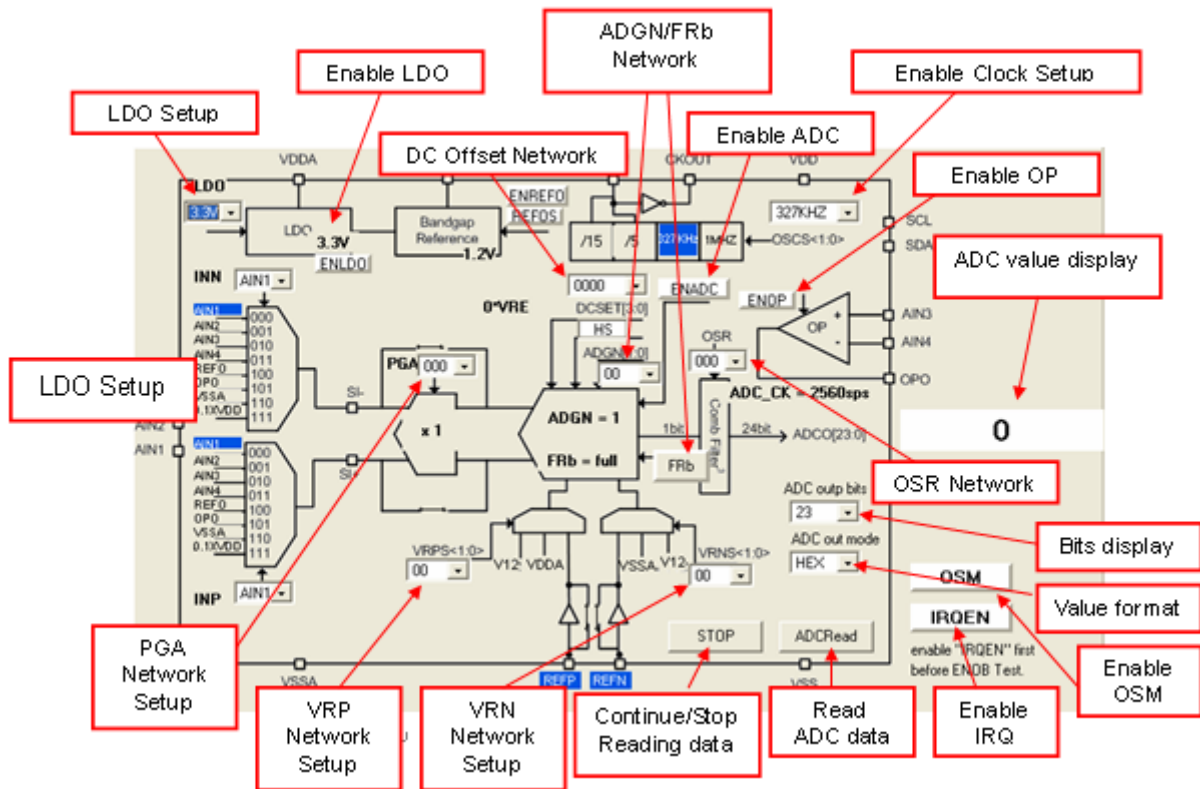


Figure 3-6

- Please refer to Chapter 3.6 of HY-IDE Software User Manual, ADC window operation.
- Setup parameters; please refer to HY311x Series datasheets.
- **Please do not change setup value when ADC reads data, this may lead to unpredictable consequences.**
- ADC value display:
  - (1) Select ADC value output format, Hex or Dec format output.
  - (2) Select Bit of ADC value, output from 8 to 23 Bit.
  - (3) Press ADCRead, ADC output value will be display immediately; the format can be configured by users.
  - (4) Press continually of reading data, the ADC output data will be displayed in Dec format.

## 3.2 USB Scan

When USB port is connected to ENOB control board, "USD On Line" will display as like the following

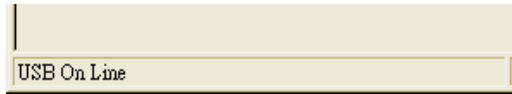


Figure 3-7

## 3.3 Read RAM

After "USB Scan" completed and "USB on Line" confirmed, please implement Read RAM. The RAM and Registers of chip will be read to the buffer zone of PC. It will affect RMS Noise and Peak-to-Peak Noise operation of ENOB Test.

## 4. ENOB Test

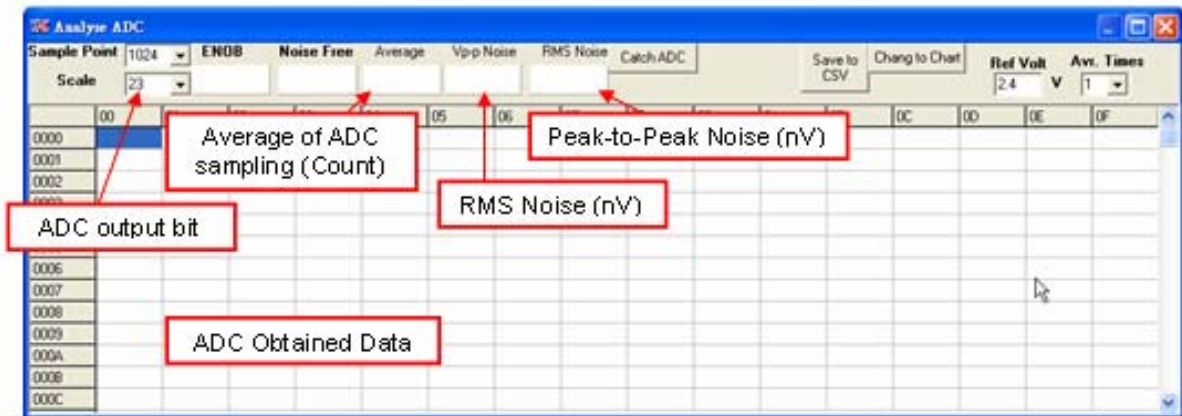


Figure 3-8

### 1. Sample Point

ADC sample point of "Catch ADC" function. Minimum sample of OTP ADC output is 64 records and maximum is 65536 records.

### 2. Scale

ADC output bit. Minimum ADC output bit is 8-bit and maximum is 23-bit.

### 3. ENOB

Display ENOB, the calculation is shown as Equation 3, the unit is bit.

### 4. Noise Free

Display Noise Free Bits, as Equation 4, the unit is Bit.

### 5. Average

Display sampling average value of ADC, as Equation 1, the unit is Counts.

## 6. Vp-p Noise

Display Peak-to-Peak Noise, as Equation 5 , the unit is nV.

## 7. RMS Noise

Display RMS Noise, as Equation 2, the unit is nV.

## 8. Catch ADC

Real-time catch and display ADC value in order. **Please do not implement this function when ADC setup window displays data in continuous mode.**

## 9. Save to CSV

Save the display value to \*.CSV file, including ENOB, Noise Free, Average, Vp-p Noise and RMS Noise.

## 10. Change To Chart

Switch chart and value in value display zone.

## 11. Ref Volt

Input Reference Voltage (unit: V).

## 12. Avr. Times

Select software average, the value is display zone will perform average again, according to the times of selection and then display in value display zone.



## 5. Hardware Description

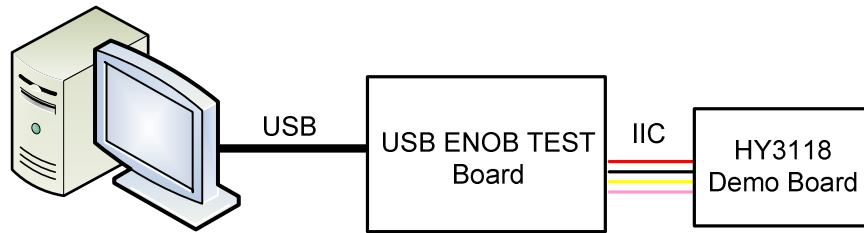


Figure 5-1

PC transmits Command to USB ENOB Test Board; USB ENOB Test Board configures and reads ADC value via IIC from Hycon HY311x Demo Board.

### 5.1 USB ENOB Test Board Description

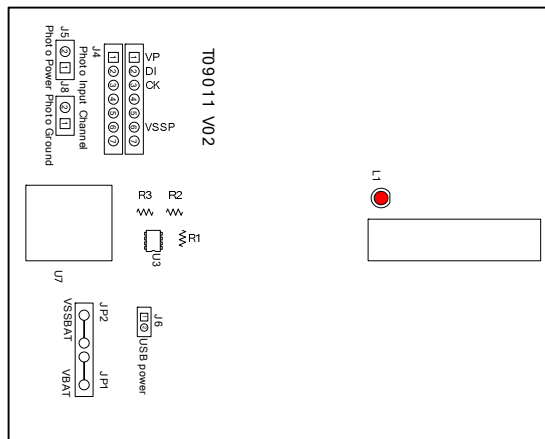


Figure 5-2

#### 1. J4 : IIC Port

J4 description

- PIN 1 → VP, powered by J5 and J8.
- PIN 2 → DI, IIC SDA signal wire.
- PIN 3 → CK, IIC SCK signal wire.
- PIN 4 → N/A
- PIN 5 → N/A
- PIN 6 → VSSP, Ground.
- PIN 7 → N/A

#### 2. JP1, JP2, J6 and U3 : Power Supply Circuit

JP1 and JP2 are external power inputs that supply power to U3 and generate VDD power. Using USB power, J6 is short circuit. Using external 5V power, JP1 and JP2 inputs, J6 is open circuit. Regulated circuit that composed by U3, R1, R2 and R3 generates VDD power. Amending R1, R2 and R3 can change output voltage, the relation is as follows:

$$VDD = 1.240V \times \left( 1 + \frac{R1 + R2}{R3} \right) \quad (6)$$

### 3. U7 : USB Port

Port connecting to PC, is the power source of entire system (5V), 500mA input.

## 5.2 HY311x Demo Board Description

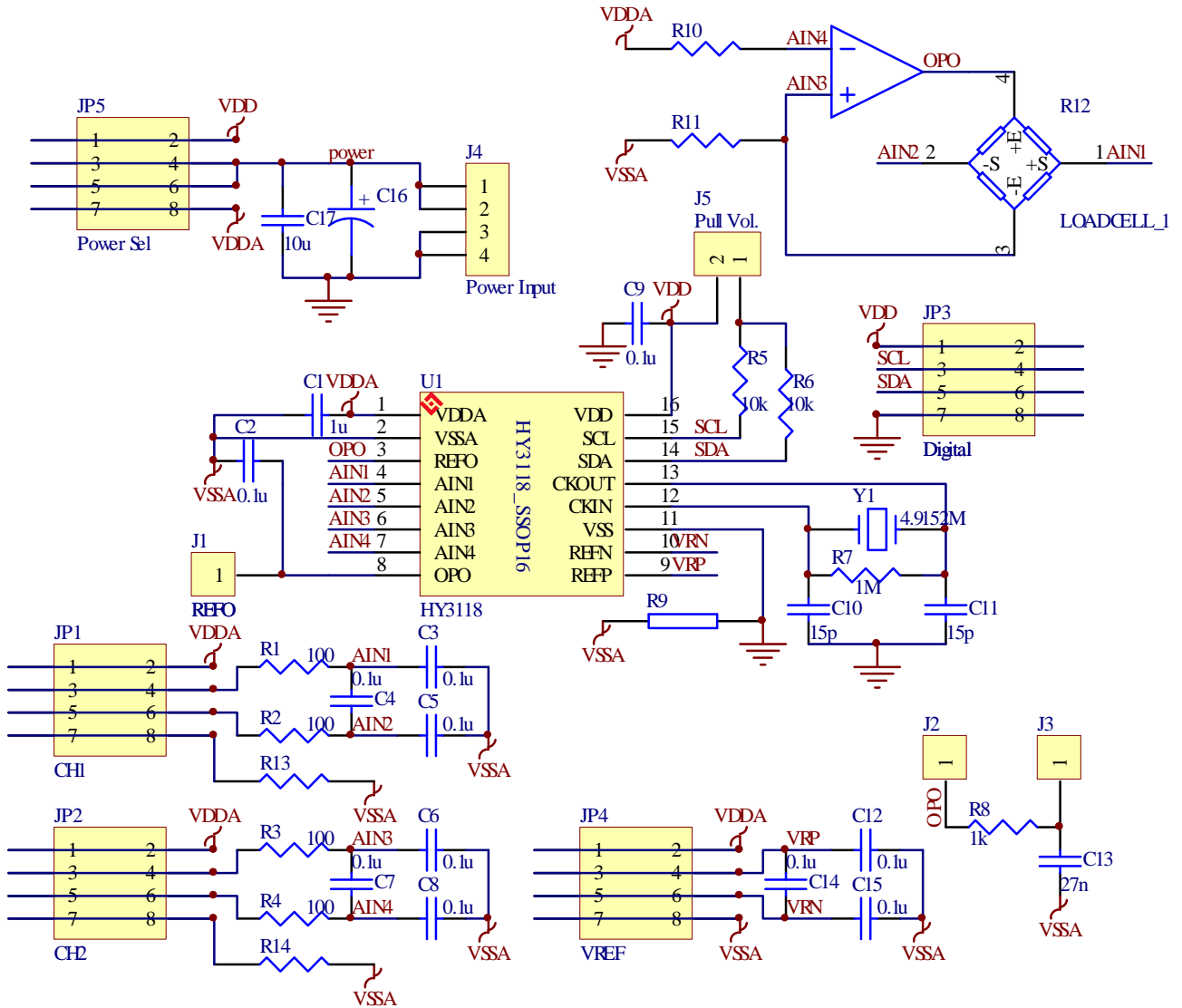


Figure 5-3

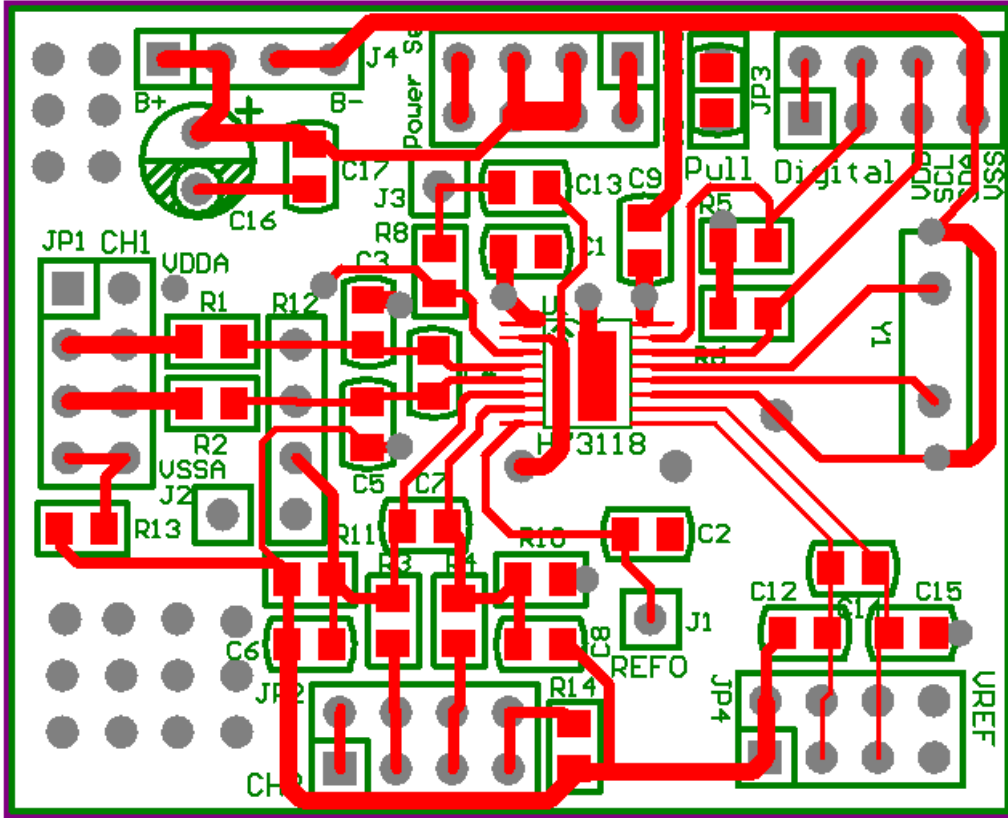


Figure 5-4

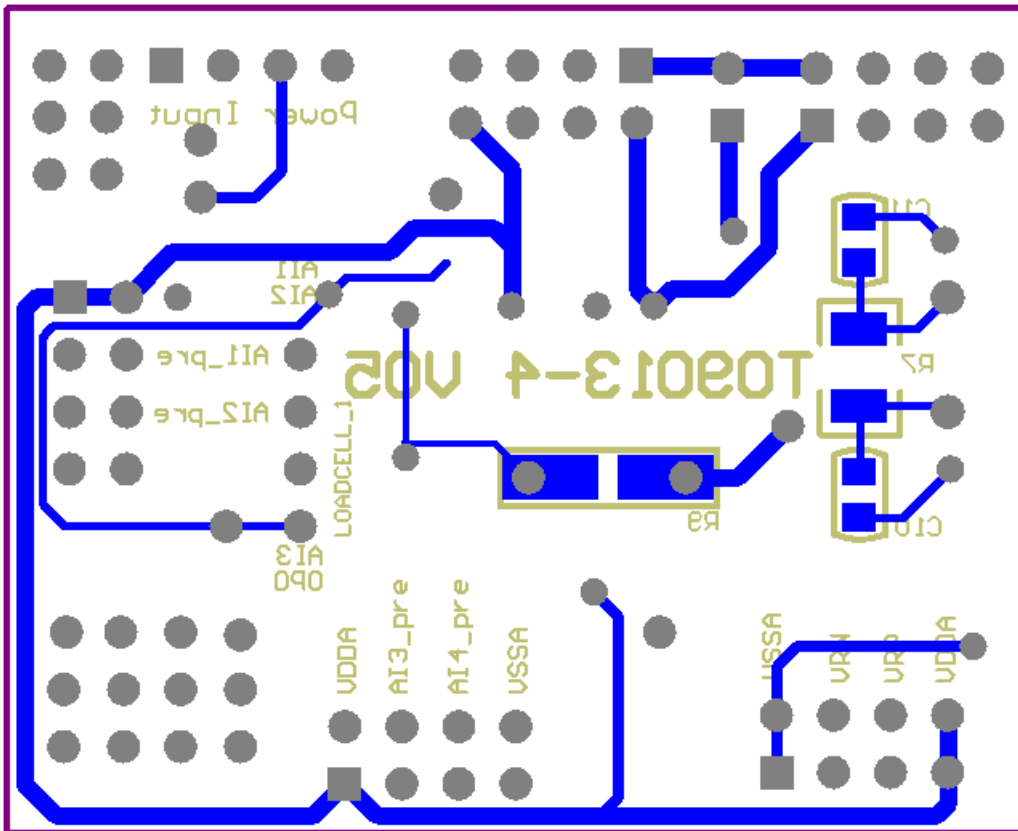


Figure 5-5

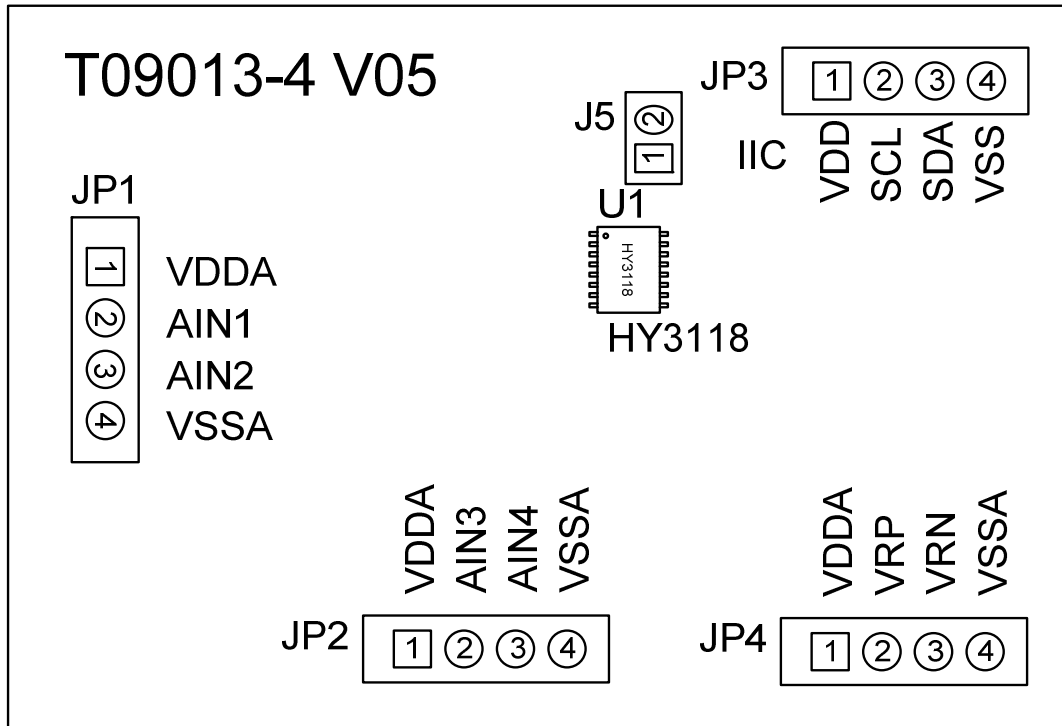


Figure 5-6

### 1. JP3 : IIC Port

- PIN 1 → VDD powered by 3.3V voltage via USB ENOB Test Board
- PIN 2 → SCL, SCK signal wire
- PIN 3 → SDA, SDA signal wire
- PIN 4 → VSS, Ground.

### 2. JP1 and JP2 : Signal Input End

- PIN 1 → VDDA, VDDA power supply
- PIN 2 → AIN1 / AI3, signal input end
- PIN 3 → AIN2 / AI4, signal input end
- PIN 4 → VSSA, Ground.

### 3. JP4 : ADC Signal Reference End

- PIN 1 → VDDA, VDDA power supply
- PIN 2 → REFP (VRP), voltage input reference end
- PIN 3 → REFN (VRN), voltage input reference end
- PIN 4 → VSSA, Ground.

### 4. U1 : Main Chip

HY3118 IC, SSOP 16 package type.

## 6. Question Obviation

### 1. Registers cannot be configured under ADC window?

USB Scan and Read RAM must be executed first. After that, ADC register value can be configured. If USB is connected and confirmed, configuration still cannot be implemented, please close program and remove USB. After plug in the USB, execute the program again.

### 2. Configuration of ADC window is relatively slow?

Please do not change any setup when ADC reads data, this might bring about unpredictable results.

### 3. Can the data obtained include time?

Data obtained from the program includes file that be saved as CSV format but not including time. Users can detect the X axis represents time in graphical display mode, demonstrating in ms. Time recording function will be incorporated in next version of program update.

### 4. Program cannot be executed, file lack appears and program demands to reinstall.

Please print the error window and message then please contact the distributor who provided this DMM EVA Test Tool to you or directly contact HYCON Technology for further support. We are sorry for the inconvenience that has caused to you.

### 5. INF error shows up when USB drive program is under installation or is completed and a yellow exclamation mark appears in “device manager”.

Please copy all programs of Driver file in the installation menu to c:\windows\system32\drivers. Reinstall driving program again. If error shows up again, please contact the distributor who provided this DMM EVA Test Tool to you or directly contact HYCON Technology for further support.

## 7. Revision History

Major differences are stated thereafter:

---

Version	Page	Revision Summary
V01	All	First Edition